



## FLR

### FLUSHING RING

#### Product Description

Flushing Rings are installed between Diaphragm Seals and process connections. Being a wetted and pressure exposed part, selection of the material of construction is extremely critical.

As the name suggests, these rings are primarily used to give access to maintenance teams while they look to flush out debris or deposition which may hinder correct pressure measurement.

Rings may have multiple flushing ports of 1/4", 1/2" or 1" sizes depending on the application. In other scenarios, flushing rings are used alongside DP Type Level Transmitters. While commissioning the instrument, having a 'vent' on the flushing ring helps calibrate Level transmitters, relieving the system of trapped air and creating a reference for zeroing the transmitter.

Alternatively, you may even connect one of the flushing ports with a pressure source and calibrate the transmitter to known values.

#### Options

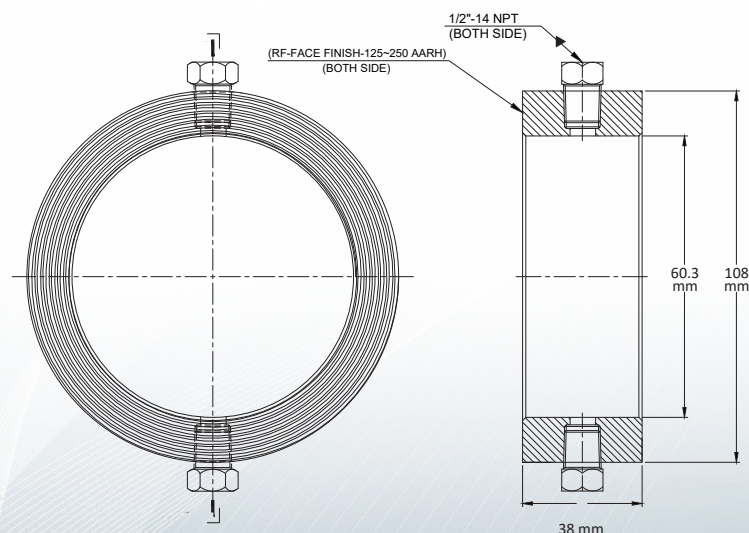
- Sizes from 1/2" to 4" .
- Materials include SS316L, Hastelloy C, PTFE and PVDF. Other metallurgy available on request.
- Class rating upto #600
- Drain ports available in various sizes, flanged and threaded finishes.

#### SPECIFICATIONS

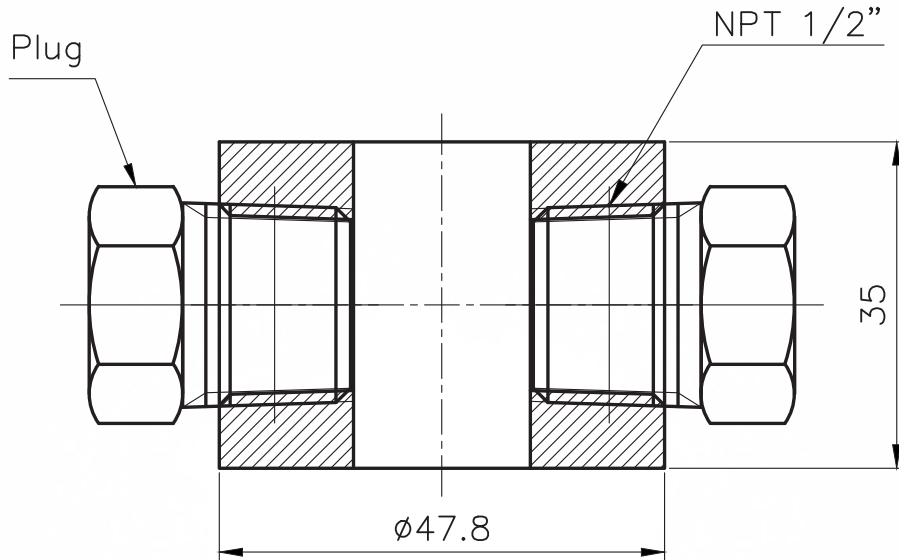
Material Of Construction	SS316L, Hastelloy C, PTFE, PVDF. Other materials available on request
Process Connection	For flanges as per EN 1092-1 and ASME B16.5, 1/2".....4", PN16.....PN100, Class 150.....600
Sealing Face	As per EN 1092-1 Form B1 and ASME B16.5 RF, 125...250 AA
Flushing Connection	1/4", 1/2", 1" NPT, BSP threads or flanges

#### REPRESENTATIVE DRAWINGS

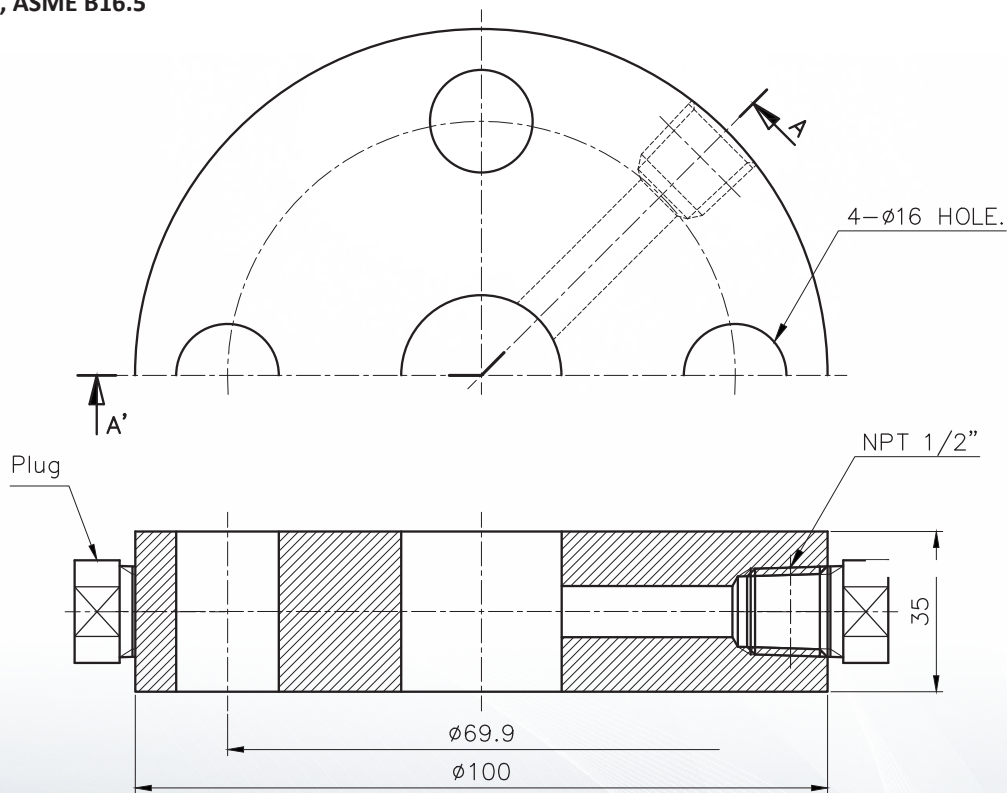
##### 2 Inch, ASME B16.5



**1/2 Inch, ASME B16.5**



**3/4 Inch, ASME B16.5**



Note : Specifications and dimensions given in this product catalogue represents the state of engineering at the time of printing. Modifications may take place and materials specified may be replaced by others without prior notice.